

0225 • 1/2" - 1"

0226 • 3/8" - 2"

0228 • 1/2" - 1"

PRESSURE REDUCING VALVES WITH DIAPHRAGM PN 16 RIO EXPORT NICKEL-PLATED
WITH STAINLESS STEEL SEAT AND FEMALE SLEEVES

PRESSURE REDUCING VALVES WITH DIAPHRAGM PN 16 RIO EXPORT YELLOW
WITH STAINLESS STEEL SEAT AND FEMALE SLEEVES

PRESSURE REDUCING VALVES WITH DIAPHRAGM PN 16 RIO EXPORT YELLOW
WITH STAINLESS STEEL SEAT AND MALE DISMANTLING FITTINGS

CONNECTIONS:

FEMALE-FEMALE

FEMALE-FEMALE

DISMANTLING FITTINGS MALE



HYDRAULIC FEATURES

The Rio Export model pressure reducing valve PN 16 is an automatic valve that reduces and stabilizes the pressure of a fluid in a water distribution conduit according to a preset value. The use of this hydraulic device is necessary if the maximum possible pressure at any point in the water distribution system can reach or exceed the relative maximum allowable working pressure, or if apparatus and equipment that function exclusively at lower levels of pressure are connectable. The Rio Export pressure reducing valves are designed for use in either internal or external water distribution systems, where the water main pressure values do not surpass 16 bar. Moreover, given the larger wetted area of the diaphragm, the downstream pressure is barely affected by upstream pressure variations. The flexible diaphragm in EPDM rubber, reinforced with high mechanical strength Polyamide textile, guarantees enhanced performance and durability, even in unfavorable conditions. The absence of moving parts, together with the valve's internal finish and broader dimensions of the passages guarantee an elevated flow capacity, even when the water draw is minimal. The Rio Export pressure reducing valve (PN 25) is used in air conditioning plants, sanitary installations for water supply, irrigation systems, compressed air (not oil mist) distribution systems, sanitary installations for water supply within buildings, according to EN 806-2, and for supply outside of buildings, as per EN 805; and for fire suppression piping. (It should nevertheless be borne in mind that local government standards for fire protection must always be observed). This product adheres to the standards set forth by the European health authorities for the transport of alimentary fluids and potable water.

ATTENTION: THE PRESSURE GAUGE CONNECTED TO THE PRESSURE REDUCING VALVE INDICATES THE ALREADY-REDUCED PRESSURE (Ps) OF THE OUTLET LIQUID FLOW.

TECHNICAL FEATURES

Pressure:	
Maximum allowable working pressure (PN)	16 bar
Outlet settings (Ps)	from 1,5 to 7 bar
Ps value set during testing	3 bar
Outlet Ps set tolerance on varying inlet pressure	± 10 %
Temperature:	
maximum working temperature (TS)	0°C (excluding ice) 80°C



OFFICINE RIGAMONTI S.p.A.
via Circonvallazione, 9
13018 Valduggia (VC), ITALY
TEL. +39 0163.48165
FAX +39 0163.47254
www.officinerigamonti.it
export@officinerigamonti.it

Compatible fluids:

water
glycolate solutions
compressed air

glycol 50%

Threading:

Pipeline connection
Gauge connection

Tests according to:

Verification of the deviation from the pre-set pressure (Ps)
Verification of the setpoint range according to
Flow rate and outlet pressure according to
Acoustic group

Threads according to ISO 228/1
Threads according to EN 10226- Rp1/4" (ex ISO 7/1)
EN 1567
according to EN 1567 § 8.3.2
EN 1567 § 8.3.1
EN 1567 § 8.3.4
I - Lmax (dBA) < 20

DESIGN

Brass body dimensions 3/8"-1" EN12165-CW617N
Cast brass body dimensions 1"1/4-2" EN1982-CB753S
Brass bonnets EN 12165 - CW617N
Other forged components in brass EN 12165 - CW617N
Other components in turned brass EN 12164 - CW614N
EPDM rubber diaphragm, nylon reinforced to 70 Sh
O-ring washers and seat gaskets in NBR RUBBER
SM GALVANIZED STEEL calibration spring - EN 10270-1
Nickel plating ELECTRODEPOSITED COATING EN 12540 (Cu/Ni5s)
STAINLESS STEEL insert seat EN 10088-1.4305 (AISI 303)

PRODUCT CODES

Product codes 0225

0225.015 female/female nickel-plated 1/2"
0225.020 female/female nickel-plated 3/4"
0225.025 female/female nickel-plated 1"

Product codes 0226

0226.012 female/female yellow 3/8"
0226.015 female/female yellow 1/2"
0226.020 female/female yellow 3/4"
0226.025 female/female yellow 1"
0226.033 female/female yellow 1"1/4
0226.042 female/female yellow 1"1/2
0226.050 female/female yellow 2"

Product codes 0228

0228.015 dismantling fittings male yellow 1/2"
0228.020 dismantling fittings male yellow 3/4"
0228.025 dismantling fittings male yellow 1"

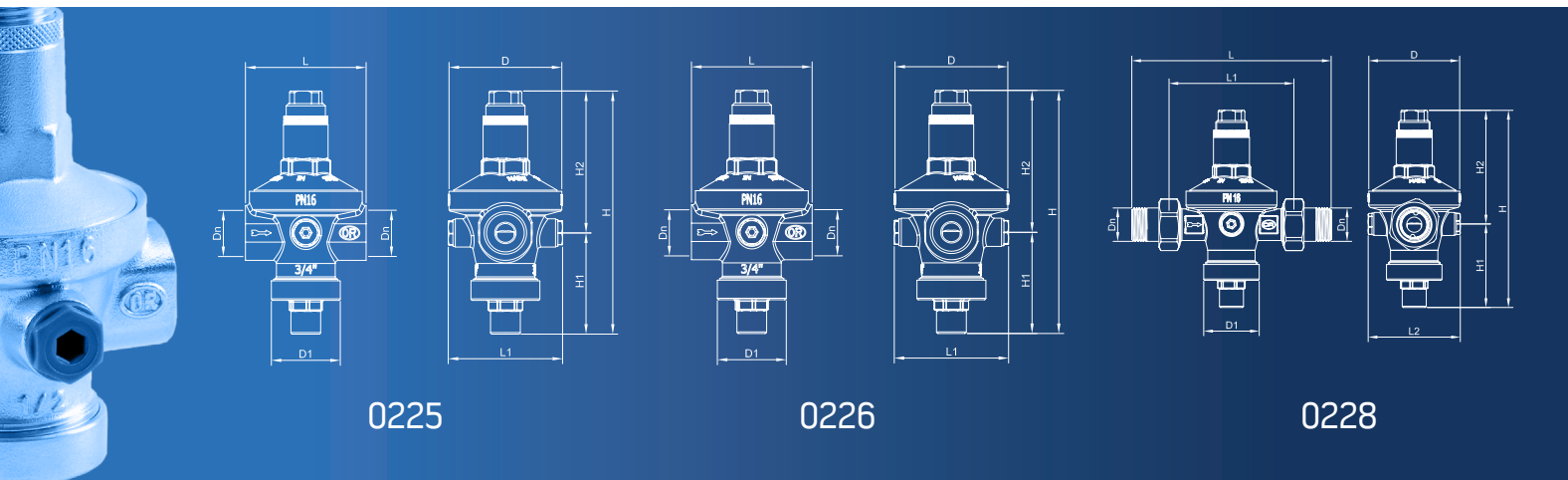
0225 • 1/2" - 1"

0226 • 3/8" - 2"

0228 • 1/2" - 1"

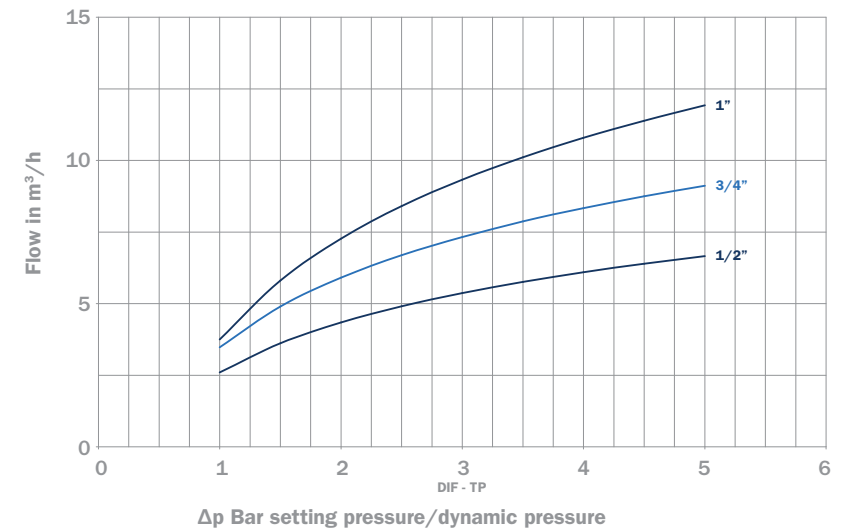
PRESSURE REDUCING VALVES WITH DIAPHRAGM PN 16 RIO EXPORT NICKEL-PLATED WITH STAINLESS STEEL SEAT AND FEMALE SLEEVES
 PRESSURE REDUCING VALVES WITH DIAPHRAGM PN 16 RIO EXPORT YELLOW WITH STAINLESS STEEL SEAT AND FEMALE SLEEVES
 PRESSURE REDUCING VALVES WITH DIAPHRAGM PN 16 RIO EXPORT YELLOW WITH STAINLESS STEEL SEAT AND MALE DISMANTLING FITTINGS

CONNECTIONS: FEMALE-FEMALE
 FEMALE-FEMALE
 DISMANTLING FITTINGS MALE



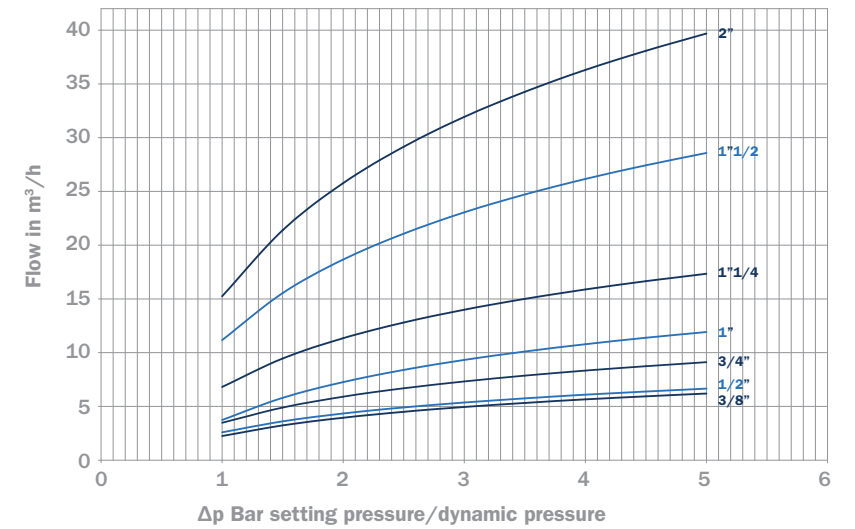
0225

PRESSURE REDUCING VALVE 0225 1/2" - 1"



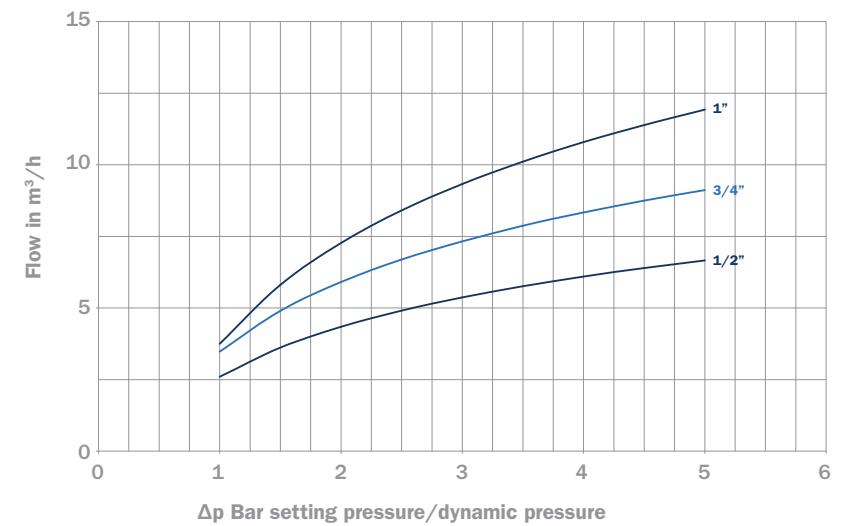
0226

PRESSURE REDUCING VALVE 226 3/8" - 2"



0228

PRESSURE REDUCING VALVE 0228 1/2" - 1"



FEATURES

0225	Dn	D	D1	L	L1	H	H1	H2
	1/2"	Ø59	Ø40,5	67,5	73	132,5	52,5	80
	3/4"	Ø72	Ø44	77	73	156	65,5	90,5
	1"	Ø88	Ø52	90	87	189	68,5	120,5

0226	Dn	D	D1	L	L1	H	H1	H2
	3/8"	Ø59	Ø40,5	67,5	73	132,5	52,5	80
	1/2"	Ø59	Ø40,5	67,5	73	132,5	52,5	80
	3/4"	Ø72	Ø44	77	73	187	65,5	90,5
	1"	Ø88	Ø52	90	87	189	68,5	120,5
	1 1/4"	Ø100	Ø65	106	99	198	76,5	121,5
	1 1/2"	Ø123	Ø72	137	104	235	80	155
	2"	Ø153	Ø80	170	117	265	87	178

0228	Dn	D	D1	L	L1	H	H1	H2
	1/2"	Ø59	Ø40,5	133,5	78,5	133,5	52,5	82
	3/4"	Ø72	Ø44	158	99	156	65,5	90,5
	1"	Ø88	Ø52	182	112	189	69,5	119,5

All informations included in this catalogue, technical features, drawings and descriptions, are not binding and might be subject to variation at any time, without any forwarning. Any reproduction, even partially, is forbidden and legally pursuable.

